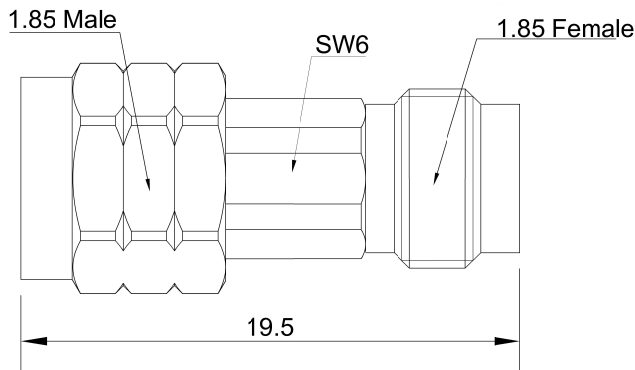


## 1.85mm Fixed Attenuator, DC - 67GHz, 2Watts

P/N: FR4-1.85-CA1XXE



Dimensions are in mm

### Electrical Performance Parameter Table

Product No	Frequency	Attenuation Value (dB)	Attenuation Accuracy (dB)	VSWR	AVERAGE POWER (W)
1.85-CA103-E	DC-67GHz	3	-1.0/+1.2	1.35	2 @ 25°C
1.85-CA106-E	DC-67GHz	6	-1.0/+1.2	1.35	2 @ 25°C
1.85-CA110-E	DC-67GHz	10	-1.0/+1.2	1.35	2 @ 25°C
1.85-CA120-E	DC-67GHz	20	-1.2/+1.2	1.35	2 @ 25°C
1.85-CA130-E	DC-67GHz	30	-1.5/+1.5	1.35	2 @ 25°C

### Product Configuration

Connector-In Series	1.85mm
Connector-Out Series	1.85mm
Connector-In Polarity	Standard
Connector-Out Polarity	Standard
Connector-In Gender	Female
Connector-Out Gender	Male
Connector-In Impedance (Ohm)	50
Connector-Out Impedance (Ohm)	50