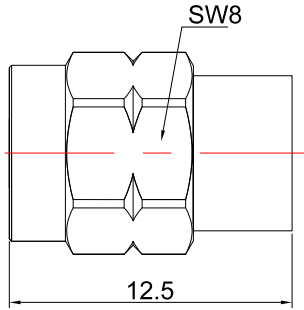


2.4mm Male RF Load Termination Up To 40 GHz | 0.5 Watts | Passivated Stainless Steel

P/N: FR3-2.4-J-03



Dimensions are in mm



Product Configuration Cable

Connector Series	2.4mm
Connector Polarity	Standard
Connector Gender	Male
Connector Impedance (Ohm)	50

Electrical Specifications

Frequency	DC -40GHz
VSWR / Return Loss	1.25
Power, Max Input (Watts)	0.5

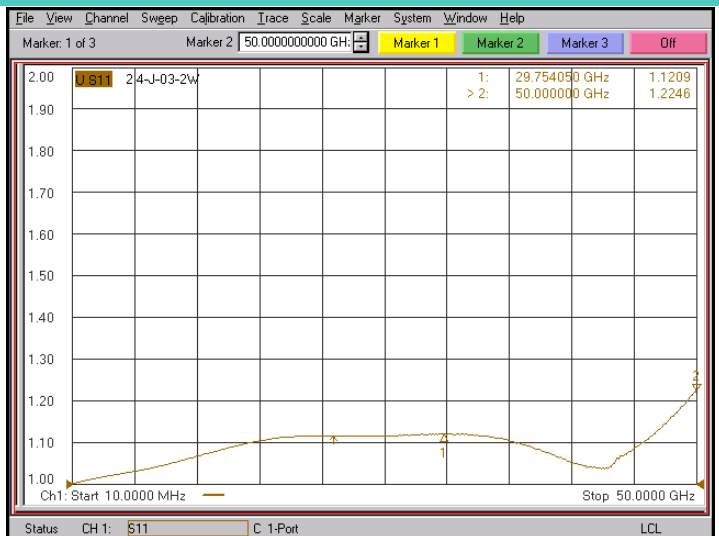
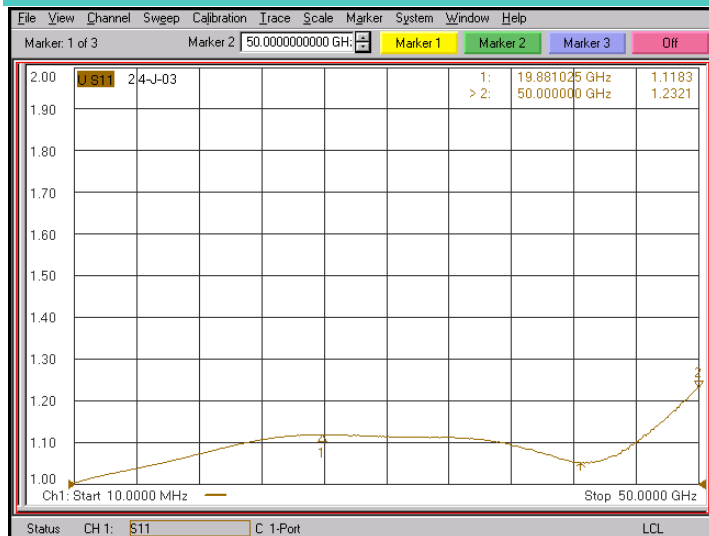
Mechanical Data

Min. Mating Cycles	≥500
Weight	3.6 g
Body Material	Stainless Steel
Body Plating	Passivated
Cryogenic	No
Non-Magnetic	No

Environmental Specifications

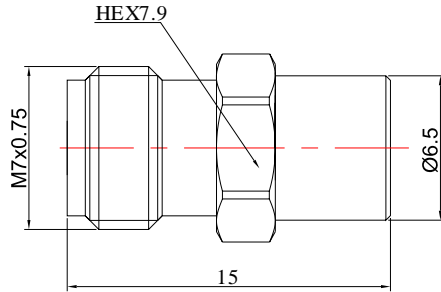
RoHS Compliant	Yes
Operating Temperature Range	-55 °C to +125 °C
MIL/STD	N/A

Test Report



2.4mm Female RF Load Termination Up To 40 GHz | 0.5 Watts | Passivated Stainless Steel

P/N: FR3-2.4-K-03



Dimensions are in mm

Product Configuration Cable

Connector Series	2.4mm
Connector Polarity	Standard
Connector Gender	Female
Connector Impedance (Ohm)	50

Electrical Specifications

Frequency	DC -40GHz
VSWR / Return Loss	1.25
Power, Max Input (Watts)	0.5

Mechanical Data

Min. Mating Cycles	≥500
Weight	3.42 g
Body Material	Stainless Steel
Body Plating	Passivated
Cryogenic	No
Non-Magnetic	No

Environmental Specifications

RoHS Compliant	Yes
Operating Temperature Range	-55 °C to +125 °C
MIL/STD	N/A

Test Report

