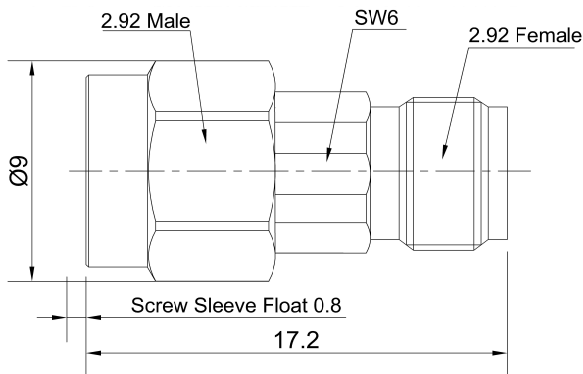


## 2.92mm Fixed Attenuator, DC-40GHz, 2Watts

P/N: FR4-2.92-CA1XXE



Dimensions are in mm

## Electrical Performance Parameter Table

Product No	Frequency	Attenuation Value (dB)	Attenuation Accuracy (dB)	VSWR	AVERAGE POWER (W)
2.92-CA101-E	DC-40GHz	1	-0.7/+0.8	1.25	2 @25°C
2.92-CA102-E	DC-40GHz	2	-0.7/+0.8	1.25	2 @25°C
2.92-CA103-E	DC-40GHz	3	-0.7/+0.8	1.25	2 @25°C
2.92-CA104-E	DC-40GHz	4	-0.7/+0.8	1.25	2 @25°C
2.92-CA105-E	DC-40GHz	5	-0.7/+0.8	1.25	2 @25°C
2.92-CA106-E	DC-40GHz	6	-0.7/+0.8	1.25	2 @25°C
2.92-CA107-E	DC-40GHz	7	-0.7/+0.8	1.25	2 @25°C
2.92-CA108-E	DC-40GHz	8	-0.7/+0.8	1.25	2 @25°C
2.92-CA109-E	DC-40GHz	9	-0.7/+0.8	1.25	2 @25°C
2.92-CA110-E	DC-40GHz	10	-0.7/+0.8	1.25	2 @25°C
2.92-CA120-E	DC-40GHz	20	-0.8/+1.0	1.25	2 @25°C
2.92-CA130-E	DC-40GHz	30	-0.8/+1.0	1.25	2 @25°C

## Product Configuration

Connector-In Series	2.92mm
Connector-Out Series	2.92mm
Connector-In Polarity	Standard
Connector-Out Polarity	Standard
Connector-In Gender	Male
Connector-Out Gender	Female
Connector-In Impedance (Ohm)	50
Connector-Out Impedance (Ohm)	50