

2.92mm Male Termination Load | DC - 40GHz | 5Watts | Precision  
Microwave Dummy

P/N: 2.92-J-03-5W



### Product Configuration Cable

Connector Series	2.92mm
Connector Polarity	Standard
Connector Gender	Male
Connector Impedance (Ohm)	50

### Electrical Specifications

Frequency	DC - 40GHz
VSWR / Return Loss	1.3 to 40GHz
Power, Max Input (Watts)	5

### Mechanical Data

Min. Mating Cycles	≥500
Body Material	Stainless Steel
Body Plating	Passivated
Cryogenic	Yes
Non-Magnetic	No

### Environmental Specifications

RoHS Compliant	Yes
Operating Temperature Range	-55 °C to +165 °C
MIL/STD	N/A

**2.92mm Female Termination Load | DC - 40GHz | 5Watts | Precision  
Microwave Dummy Load**

**P/N: 2.92-K-03-5W**



### Product Configuration Cable

Connector Series	2.92mm
Connector Polarity	Standard
Connector Gender	Female
Connector Impedance (Ohm)	50

### Electrical Specifications

Frequency	DC - 40GHz
VSWR / Return Loss	1.30 to 40GHz
Power, Max Input (Watts)	5

### Mechanical Data

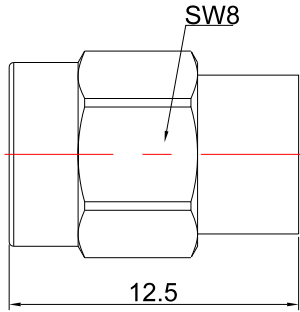
Min. Mating Cycles	≥500
Body Material	Stainless Steel
Body Plating	Passivated
Cryogenic	No
Non-Magnetic	No

### Environmental Specifications

RoHS Compliant	Yes
Operating Temperature Range	-55 °C to +165 °C
MIL/STD	N/A

## 2.92mm Male RF Load Up To 40 GHz | 2 Watts | Passivated Stainless Steel

P/N: FR3-2.92-J-03



Dimensions are in mm



### Product Configuration Cable

Connector Series	2.92mm
Connector Polarity	Standard
Connector Gender	Male
Connector Impedance (Ohm)	50

### Electrical Specifications

Frequency	DC -40GHz
VSWR / Return Loss	$\leq 1.20$
Power, Max Input (Watts)	2

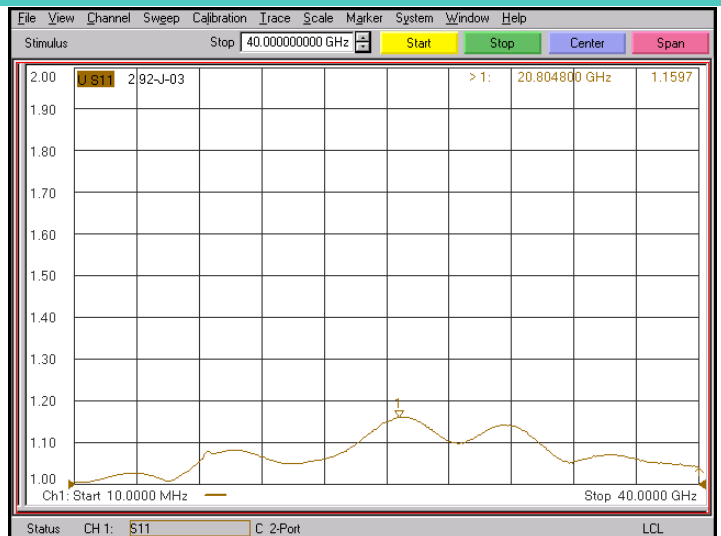
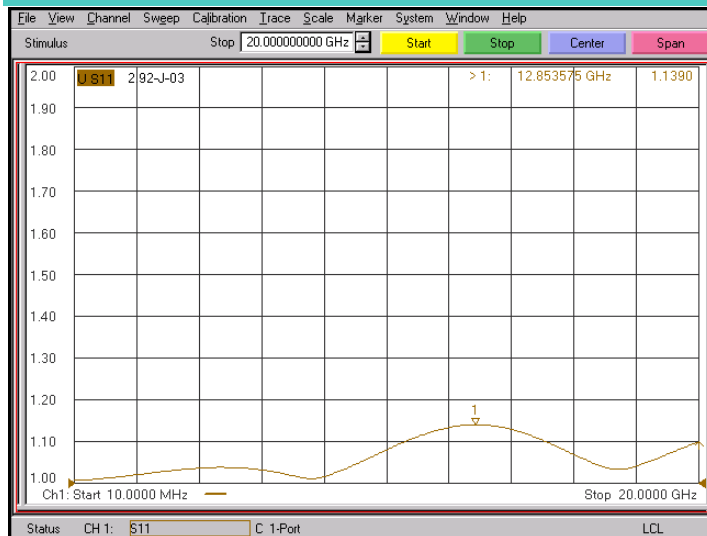
### Mechanical Data

Min. Mating Cycles	$\geq 500$
Weight	2.3 g
Body Material	Stainless Steel
Body Plating	Passivated
Cryogenic	No
Non-Magnetic	No

### Environmental Specifications

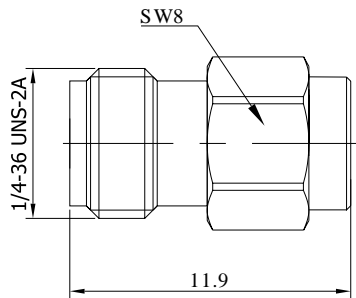
RoHS Compliant	Yes
Operating Temperature Range	-55 °C to +125 °C
MIL/STD	N/A

### Test Report



## 2.92mm Female RF Load Termination Up To 40 GHz | 0.5 Watts | Passivated Stainless Steel

P/N: FR3-2.92-K-03



Dimensions are in mm

### Product Configuration Cable

Connector Series	2.92mm
Connector Polarity	Standard
Connector Gender	Male
Connector Impedance (Ohm)	50

### Electrical Specifications

Frequency	DC - 40GHz
VSWR / Return Loss	<=1.20
Power, Max Input (Watts)	0.5

### Mechanical Data

Min. Mating Cycles	≥500
Weight	2.58 g
Body Material	Stainless Steel
Body Plating	Passivated
Cryogenic	No
Non-Magnetic	No

### Environmental Specifications

RoHS Compliant	Yes
Operating Temperature Range	-55 °C to +125 °C
MIL/STD	N/A

### Test Report

