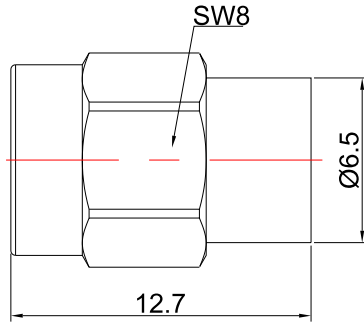


3.5mm Male RF Load Termination Up To 26.5 GHz | 1 Watts | Passivated Stainless Steel

P/N: FR3-3.5-J-03



Dimensions are in mm



Product Configuration Cable

Connector Series	3.5mm
Connector Polarity	Standard
Connector Gender	Male
Connector Impedance (Ohm)	50

Electrical Specifications

Frequency	DC -26.5GHz
VSWR / Return Loss	1.15
Power, Max Input (Watts)	1

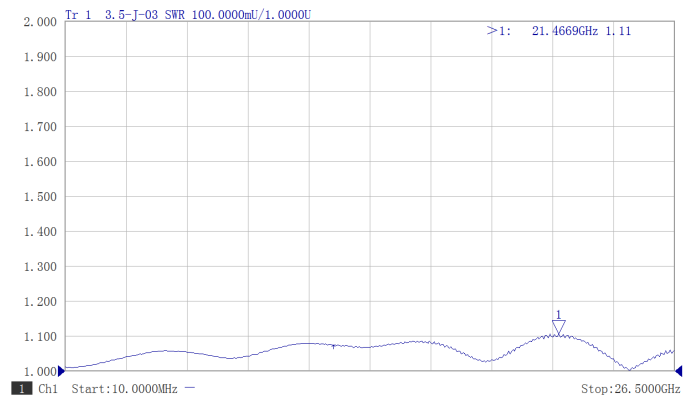
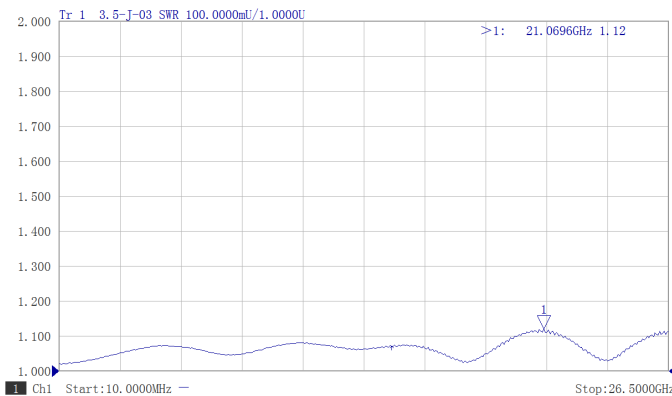
Mechanical Data

Min. Mating Cycles	≥500
Weight	2.7 g
Body Material	Stainless Steel
Body Plating	Passivated
Cryogenic	No
Non-Magnetic	No

Environmental Specifications

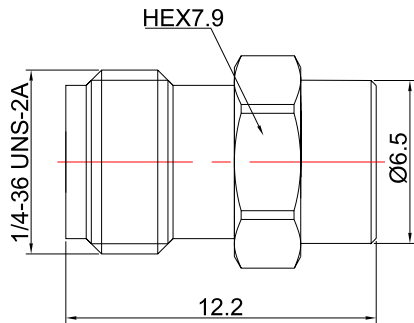
RoHS Compliant	Yes
Operating Temperature Range	-55 °C to +125 °C
MIL/STD	N/A

Test Report



3.5mm Female RF Load Termination Up To 26.5 GHz | 1 Watts | Passivated Stainless Steel

P/N: FR3-3.5-K-03



Dimensions are in mm



Product Configuration Cable

Connector Series	3.5mm
Connector Polarity	Standard
Connector Gender	Female
Connector Impedance (Ohm)	50

Electrical Specifications

Frequency	DC -26.5GHz
VSWR / Return Loss	1.15
Power, Max Input (Watts)	1

Mechanical Data

Min. Mating Cycles	≥500
Weight	2.7 g
Body Material	Stainless Steel
Body Plating	Passivated
Cryogenic	No
Non-Magnetic	No

Environmental Specifications

RoHS Compliant	Yes
Operating Temperature Range	-55 °C to +125 °C
MIL/STD	N/A

Test Report

