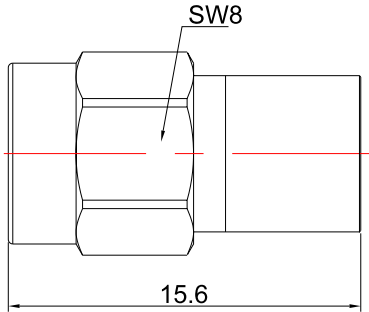


SMA Male RF Load Termination Up To 18 GHz | 0.5 Watts | Gold Plated Brass

P/N: FR3-SMA-J-03



Dimensions are in mm



Product Configuration Cable

Connector Series	SMA
Connector Polarity	Standard
Connector Gender	Male
Connector Impedance (Ohm)	50

Electrical Specifications

Frequency	DC - 18GHz
VSWR / Return Loss	1.25
Power, Max Input (Watts)	0.5

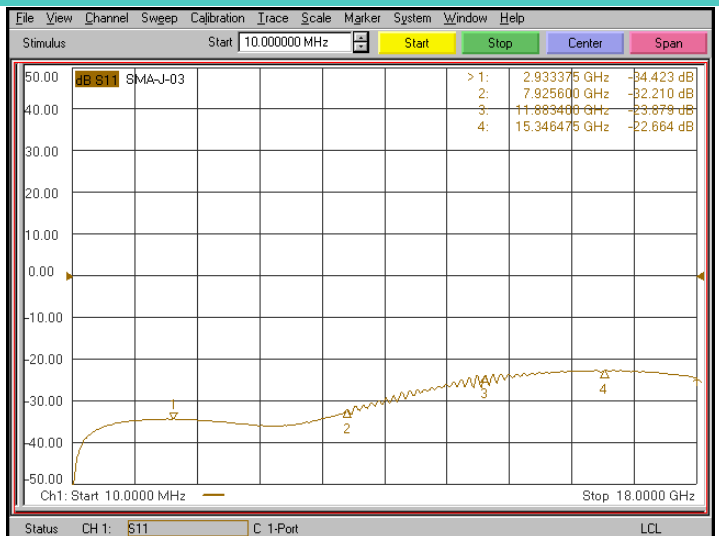
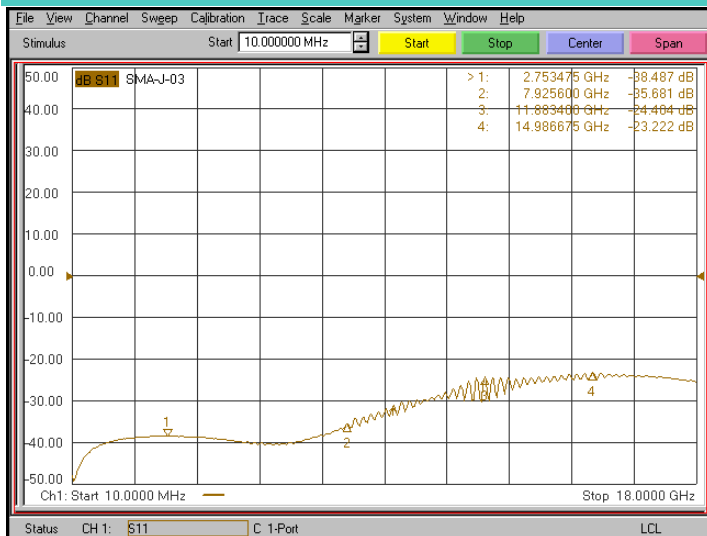
Mechanical Data

Min. Mating Cycles	≥500
Weight	3.62 g
Body Material	Brass
Body Plating	Gold
Cryogenic	No
Non-Magnetic	No

Environmental Specifications

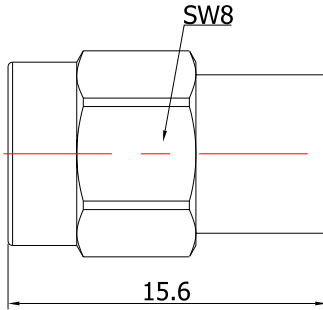
RoHS Compliant	Yes
Operating Temperature Range	-55 °C to +125 °C
MIL/STD	N/A

Test Report



SMA Male RF Load Termination Up To 18 GHz | 1 Watts | Passivated Stainless Steel

P/N: FR3-SMA-J-03S



Dimensions are in mm



Product Configuration Cable

Connector Series	SMA
Connector Polarity	Standard
Connector Gender	Male
Connector Impedance (Ohm)	50

Electrical Specifications

Frequency	DC - 18GHz
VSWR / Return Loss	1.2
Power, Max Input (Watts)	1

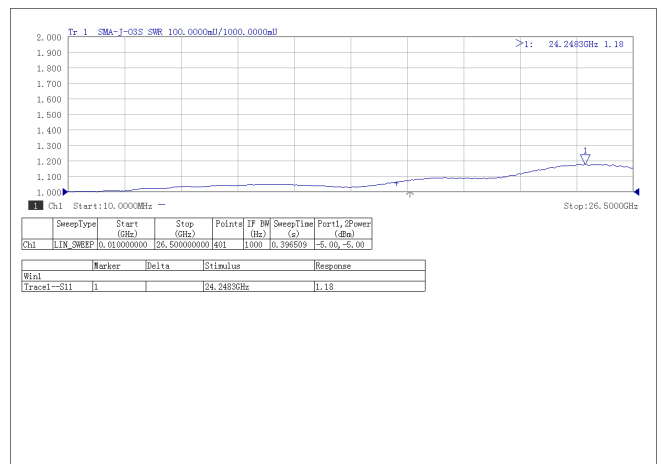
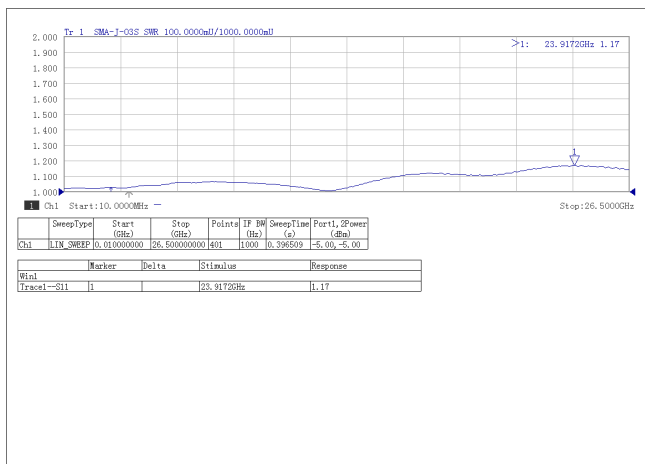
Mechanical Data

Min. Mating Cycles	≥500
Weight	3.41 g
Body Material	Stainless Steel
Body Plating	Passivated
Cryogenic	No
Non-Magnetic	No

Environmental Specifications

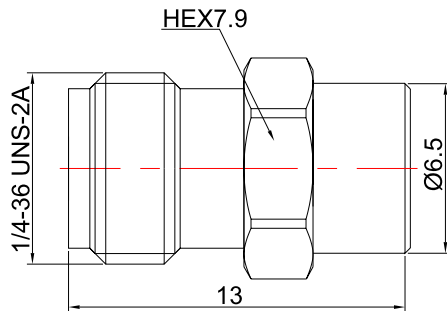
RoHS Compliant	Yes
Operating Temperature Range	-55 °C to +125 °C
MIL/STD	N/A

Test Report



SMA Female RF Load Termination Up To 18 GHz | 1 Watts | Passivated Stainless Steel

P/N: FR3-SMA-K-03S



Dimensions are in mm



Product Configuration Cable

Connector Series	SMA
Connector Polarity	Standard
Connector Gender	Female
Connector Impedance (Ohm)	50

Electrical Specifications

Frequency	DC - 18GHz
VSWR / Return Loss	1.15
Power, Max Input (Watts)	1

Mechanical Data

Min. Mating Cycles	≥500
Weight	2.61 g
Body Material	Stainless Steel
Body Plating	Passivated
Cryogenic	No
Non-Magnetic	No

Environmental Specifications

RoHS Compliant	Yes
Operating Temperature Range	-55 °C to +125 °C
MIL/STD	N/A

Test Report

